

Great Lakes Tile Products

Profiles + Accessories

for Tile, Stone, LVT, and Carpet



2023/24
CATALOG | PRICE LIST





Welcome to Great Lakes Tile Products

Celebrating 23 years of providing superior profiles, quality trims, and clever accessories!

23
YEARS

Our innovative designs solve installation challenges and provide a complete line of products for residential and commercial applications.

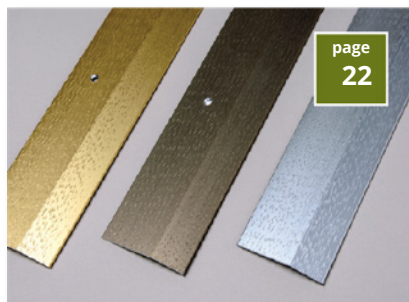
Introducing



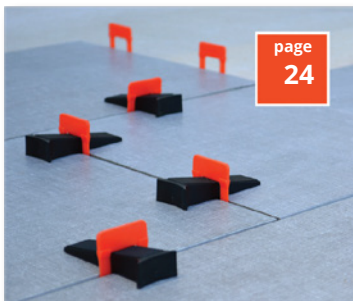
All profiles and trims from Great Lakes Tile Products are sold in 8 foot lengths except Tread Edge which is also available in 4 foot lengths.



LVT Metal Trims
in Three Color Options



Carpet Metal Trims
in Three Color Options



Leveling Spacer System



Recessed Niches
for Tiled Showers & Walls



Clever Corner
Shower Corner Shelf



All orders are processed quickly & accurately with same day shipping on most orders.





PROFILES for TILE & STONE

L Channel Bendable L Channel	4-5
Round Edge Round Edge Corners	6-8
Round Edge Top Cap Round Edge Top Cap Corners	8
Square Edge Square Edge Corner	9-10
J Channel Listello Mosaic/Porcelain Laminate Trim	10
Reducer Ramp Reducer	11
Carpet Tuck	12
T Channel T Channel Corner	13
Tread Edge	14
Tread Edge Smooth Face Hybrid Stair Nose & End Cap	15
Internal Cove & Accesories Internal Cove 1 Leg & Accessories	16-17
Expansion Joint Joint Cover	18
Commercial Projects	19

PROFILES for LVT (LUXURY VINYL TILE)

Square Edge Reducer Stair Nose LVT T Channel	20-21
--	-------

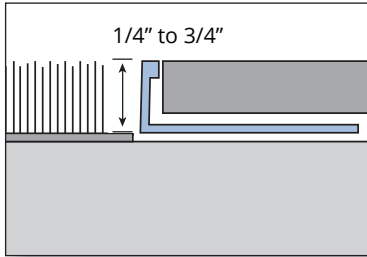
PROFILES for CARPET

Carpet Gripper Binder Bar Stair Nose Pinless Track	22-23
--	-------

Leveling Spacer System	24-25
Recessed Niches	26-27
Clever Corner	28
Colors Displays & Sample Boards	29
Terms of Sale	30-31



L CHANNEL

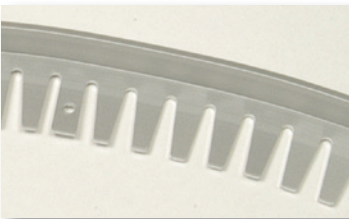
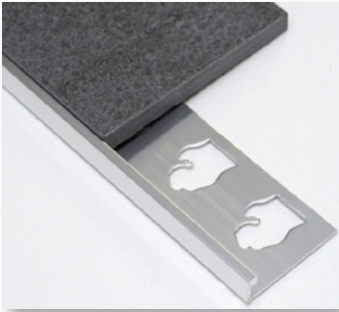


Our most widely used transition trim. Primarily used to transition from tile to carpet protecting the tile's edge from chipping.

This universal trim can be used in a variety of applications including, but not limited to, a corner guard on vertical wall applications.

Available in numerous finishes to coordinate with any tile or stone selection.

Color	Great Lakes #	Qty/pkg	Size: in / mm		Price/pc	Total
Aluminum Mill** (aluminum silver - not anodized)	GLM- A60	50	1/4	6	\$7.72	\$386.00
	GLM- A80	50	5/16	8	\$7.72	\$386.00
	GLM- A100	50	3/8	10	\$7.88	\$394.00
	GLM- A110	50	7/16	11	\$8.04	\$402.00
	GLM- A125	50	1/2	12.5	\$8.25	\$412.50
Black (matte black)	GLM- BLK60	50	1/4	6	\$12.87	\$643.50
	GLM- BLK80	50	5/16	8	\$12.87	\$643.50
	GLM- BLK100	50	3/8	10	\$13.14	\$657.00
	GLM- BLK125	50	1/2	12.5	\$13.65	\$682.50
	GLM- BLK160	50	5/8	16	\$16.12	\$806.00
	GLM- BLK200	50	3/4	20	\$16.72	\$836.00
Bright Chrome (shiny silver)	GLM- BC60	50	1/4	6	\$13.14	\$657.00
	GLM- BC80	50	5/16	8	\$13.14	\$657.00
	GLM- BC100	50	3/8	10	\$13.79	\$689.50
	GLM- BC125	50	1/2	12.5	\$14.41	\$720.50
	GLM- BC160	50	5/8	16	\$16.86	\$843.00
	GLM- BC200	50	3/4	20	\$17.51	\$875.50
Bright Gold (shiny gold) Call for available quantities	GLM- BG60	50	1/4	6	\$13.54	\$677.00
	GLM- BG80	50	5/16	8	\$13.54	\$677.00
	GLM- BG100	50	3/8	10	\$13.79	\$689.50
	GLM- BG125	50	1/2	12.5	\$14.41	\$720.50
Brushed Nickel	GLM- BRN60	50	1/4	6	\$14.07	\$703.50
	GLM- BRN80	50	5/16	8	\$14.07	\$703.50
	GLM- BRN100	50	3/8	10	\$14.67	\$733.50
	GLM- BRN125	50	1/2	12.5	\$15.29	\$764.50
	GLM- BRN160	50	5/8	16	\$18.06	\$903.00
	GLM- BRN200	50	3/4	20	\$18.92	\$946.00
Clear (satin silver)	GLM- C60	50	1/4	6	\$10.95	\$547.50
	GLM- C80	50	5/16	8	\$10.95	\$547.50
	GLM- C100	50	3/8	10	\$11.20	\$560.00
	GLM- C125	50	1/2	12.5	\$11.83	\$591.50
	GLM- C160	50	5/8	16	\$13.54	\$677.00
	GLM- C180	50	11/16	18	\$13.84	\$692.00
	GLM- C200	50	3/4	20	\$14.16	\$708.00
Dark Bronze	GLM- DB80	50	5/16	8	\$11.83	\$591.50
	GLM- DB100	50	3/8	10	\$11.97	\$598.50
	GLM- DB125	50	1/2	12.5	\$12.59	\$629.50
Dark Granite NEW!	GLM- DGRN100	50	3/8	10	\$22.50	\$1125.00
	GLM- DGRN125	50	1/2	12.5	\$23.50	\$1175.00
Granite NEW!	GLM- GRN100	50	3/8	10	\$22.50	\$1125.00
	GLM- GRN125	50	1/2	12.5	\$23.50	\$1175.00



A wonderful way to add a little flare to traditional square or angled edges.

If you desire a radius or curved tile design, this is the trim to use. It will save you money and the installer time.

L CHANNEL Continued

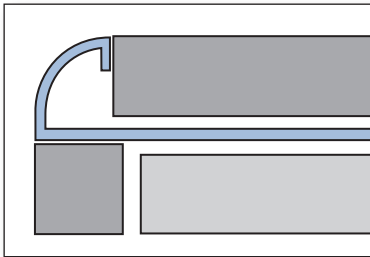
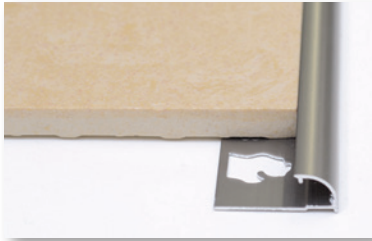
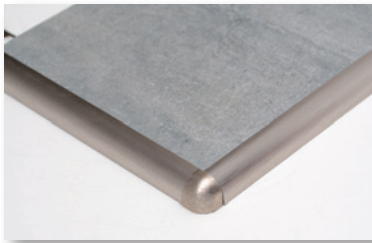
Color	Great Lakes #	Qty/pkg	Size: in / mm		Price/pc	Total
Gold (satin gold)	GLM- G60	50	1/4	6	\$10.95	\$547.50
	GLM- G80	50	5/16	8	\$10.95	\$547.50
	GLM- G100	50	3/8	10	\$11.20	\$560.00
	GLM- G125	50	1/2	12.5	\$11.83	\$591.50
	GLM- G160	50	5/8	16	\$14.16	\$708.00
	GLM- G200	50	3/4	20	\$14.83	\$741.50
Light Bronze	GLM- B60	50	1/4	6	\$11.60	\$580.00
	GLM- B80	50	5/16	8	\$11.60	\$580.00
	GLM- B100	50	3/8	10	\$11.71	\$585.50
	GLM- B125	50	1/2	12.5	\$12.36	\$618.00
	GLM- B160	50	5/8	16	\$14.81	\$740.50
	GLM- B200	50	3/4	20	\$15.43	\$771.50
PVC-Plastic Beige	GLM- PBE80	50	5/16	8	\$5.90	\$295.00
	GLM- PBE100	50	3/8	10	\$6.02	\$301.00
PVC-Plastic White	GLM- PW80	50	5/16	8	\$5.90	\$295.00
	GLM- PW100	50	3/8	10	\$6.02	\$301.00
Sand Stone NEW!	GLM- SAST100	50	3/8	10	\$22.50	\$1125.00
	GLM- SAST125	50	1/2	12.5	\$23.50	\$1175.00
Stainless Steel Natural	GLM- SS80	10	5/16	8	\$35.99	\$359.90
	GLM- SS100	10	3/8	10	\$37.95	\$379.50
	GLM- SS125	10	1/2	12.5	\$39.27	\$392.70
White (powder coat)	GLM- W60	50	1/4	6	\$13.47	\$673.50
	GLM- W80	50	5/16	8	\$13.77	\$688.50
	GLM- W100	50	3/8	10	\$14.23	\$711.50
	GLM- W125	50	1/2	12.5	\$14.90	\$745.00

BENDABLE L CHANNEL

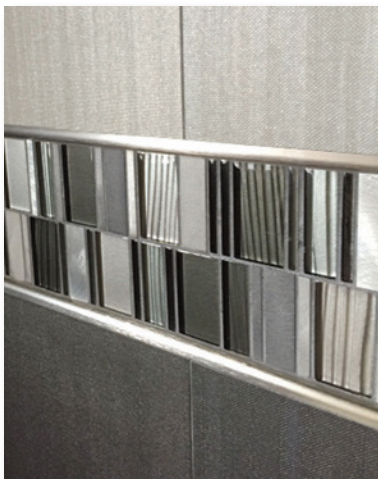
Color	Great Lakes #	Qty/pkg	Size: in / mm		Price/pc	Total
Black	GLM- BNDBLK100	25	3/8	10	\$19.33	\$483.25
	GLM- BNDBLK125	25	1/2	12.5	\$19.84	\$496.00
Brushed Nickel	GLM- BNDBRN100	25	3/8	10	\$20.86	\$521.50
	GLM- BNDBRN125	25	1/2	12.5	\$21.41	\$535.25
Clear (satin silver)	GLM- BNDC80	25	5/16	8	\$16.72	\$418.00
	GLM- BNDC100	25	3/8	10	\$17.37	\$434.25
	GLM- BNDC125	25	1/2	12.5	\$18.02	\$450.50
Dark Bronze	GLM- BNDDB100	25	3/8	10	\$18.16	\$454.00
	GLM- BNDDB125	25	1/2	12.5	\$18.78	\$469.50
Gold (satin gold)	GLM- BNDG80	25	5/16	8	\$16.72	\$418.00
	GLM- BNDG100	25	3/8	10	\$17.37	\$434.25
	GLM- BNDG125	25	1/2	12.5	\$18.02	\$450.50
Light Bronze	GLM- BNDB80	25	5/16	8	\$16.72	\$418.00
	GLM- BNDB100	25	3/8	10	\$17.37	\$434.25
	GLM- BNDB125	25	1/2	12.5	\$18.02	\$450.50



ROUND EDGE



A unique and cost effective alternative to expensive bull nose and/or tile trim pieces. A great way to finish and soften tile edges on wall applications.

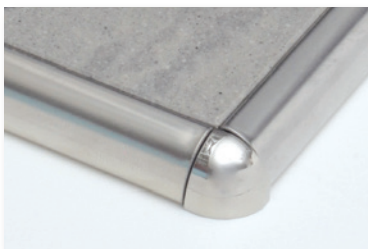


Color	Great Lakes #	Qty/pkg	Size: in / mm	Price/pc	Total
Black (matte black)	GLM- REBLK100	25	3/8 10	\$18.69	\$467.25
	GLM- REBLK125	25	1/2 12.5	\$19.31	\$482.75
Bright Chrome (shiny silver)	GLM- REBC80	25	5/16 8	\$17.37	\$434.25
	GLM- REBC100	25	3/8 10	\$18.02	\$450.50
	GLM- REBC125	25	1/2 12.5	\$18.66	\$466.50
Brushed Nickel	GLM- REBRN80	25	5/16 8	\$18.04	\$451.00
	GLM- REBRN100	25	3/8 10	\$18.53	\$463.25
	GLM- REBRN125	25	1/2 12.5	\$18.99	\$474.75
Clear (satin silver)	GLM- REC80	25	5/16 8	\$15.45	\$386.25
	GLM- REC100	25	3/8 10	\$16.12	\$403.00
	GLM- REC125	25	1/2 12.5	\$16.70	\$417.50
Dark Bronze	GLM- REDB80	25	5/16 8	\$17.81	\$445.25
	GLM- REDB100	25	3/8 10	\$18.39	\$459.75
	GLM- REDB125	25	1/2 12.5	\$18.87	\$471.75
Dark Granite NEW!	GLM- REDGRN100	50	3/8 10	\$23.60	\$1,180.00
	GLM- REDGRN125	50	1/2 12.5	\$26.60	\$1,330.00
Gold (satin gold)	GLM- REG80	25	5/16 8	\$16.12	\$403.00
	GLM- REG100	25	3/8 10	\$16.72	\$418.00
Granite NEW!	GLM- REGRN100	50	3/8 10	\$23.60	\$1,180.00
	GLM- REGRN125	50	1/2 12.5	\$26.60	\$1,330.00
Light Bronze	GLM- REB80	25	5/16 8	\$17.33	\$433.25
	GLM- REB100	25	3/8 10	\$18.02	\$450.50
	GLM- REB125	25	1/2 12.5	\$18.76	\$469.00
PVC-Plastic Beige	GLM- PREBE80	25	5/16 8	\$6.46	\$161.50
	GLM- PREBE100	25	3/8 10	\$6.81	\$170.25
PVC-Plastic White	GLM- PREW80	25	5/16 8	\$6.46	\$161.50
	GLM- PREW100	25	3/8 10	\$6.81	\$170.25
Sand Stone NEW!	GLM- RESAST100	50	3/8 10	\$23.60	\$1,180.00
	GLM- RESAST125	50	1/2 12.5	\$26.60	\$1,330.00
Stainless Steel Mirror	GLM- RESS80	25	5/16 8	\$41.09	\$1,027.25
	GLM- RESS100	25	3/8 10	\$44.17	\$1,104.25
	GLM- RESS120	25	1/2 12	\$48.09	\$1,202.25
White	GLM- REW80	25	5/16 8	\$17.37	\$434.25
	GLM- REW100	25	3/8 10	\$18.02	\$450.50
	GLM- REW125	25	1/2 12.5	\$18.66	\$466.50

ROUND EDGE CORNERS



Incorporating one of our pre-formed corners adds the subtle touch that will finish your project with that real craftsman workmanship.

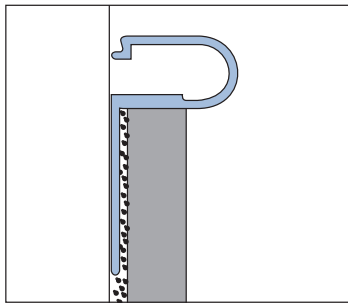


Color	Great Lakes #	Qty/pkg	Size: in / mm	Price/pc	Total
INSIDE CORNER Black (matte black)	GLM- IREBLK100	1	3/8 10	\$6.14	\$6.14
	GLM- IREBLK125	1	1/2 12.5	\$6.14	\$6.14
Bright Chrome (shiny silver)	GLM- IREBC80	1	5/16 8	\$6.14	\$6.14
	GLM- IREBC100	1	3/8 10	\$6.14	\$6.14
	GLM- IREBC125	1	1/2 12.5	\$6.14	\$6.14
Brushed Nickel	GLM- IREBRN80	1	5/16 8	\$7.37	\$7.37
	GLM- IREBRN100	1	3/8 10	\$7.37	\$7.37
	GLM- IREBRN125	1	1/2 12.5	\$7.37	\$7.37
Clear (satin silver)	GLM- IREC80	1	5/16 8	\$6.14	\$6.14
	GLM- IREC100	1	3/8 10	\$6.14	\$6.14
	GLM- IREC125	1	1/2 12.5	\$6.14	\$6.14
Dark Bronze	GLM- IREDB80	1	5/16 8	\$6.14	\$6.14
	GLM- IREDB100	1	3/8 10	\$6.14	\$6.14
	GLM- IREDB125	1	1/2 12.5	\$6.14	\$6.14
Dark Granite NEW!	GLM- IREDGRN100	1	3/8 10	\$16.90	\$16.90
	GLM- IREDGRN125	1	1/2 12.5	\$17.80	\$17.80
Granite NEW!	GLM- IREGRN100	1	3/8 10	\$16.90	\$16.90
	GLM- IREGRN125	1	1/2 12.5	\$17.80	\$17.80
Light Bronze	GLM- IREB80	1	5/16 8	\$6.14	\$6.14
	GLM- IREB100	1	3/8 10	\$6.14	\$6.14
	GLM- IREB125	1	1/2 12.5	\$6.14	\$6.14
Sand Stone NEW!	GLM- IRESAST100	1	3/8 10	\$16.90	\$16.90
	GLM- IRESAST125	1	1/2 12.5	\$17.80	\$17.80
Stainless Steel Mirror	GLM- IRESS80	1	5/16 8	\$12.27	\$12.27
	GLM- IRESS100	1	3/8 10	\$12.27	\$12.27
	GLM- IRESS120	1	1/2 12.5	\$12.87	\$12.87
White	GLM- IREW80	1	5/16 8	\$7.37	\$7.37
	GLM- IREW100	1	3/8 10	\$7.37	\$7.37
	GLM- IREW125	1	1/2 12.5	\$7.37	\$7.37
OUTSIDE CORNER Black (matte black)	GLM- OREBLK100	1	3/8 10	\$6.14	\$6.14
	GLM- OREBLK125	1	1/2 12.5	\$6.14	\$6.14
Bright Chrome (shiny silver)	GLM- OREBC80	1	5/16 8	\$6.14	\$6.14
	GLM- OREBC100	1	3/8 10	\$6.14	\$6.14
	GLM- OREBC125	1	1/2 12.5	\$6.14	\$6.14
Brushed Nickel	GLM- OREBRN80	1	5/16 8	\$7.37	\$7.37
	GLM- OREBRN100	1	3/8 10	\$7.37	\$7.37
	GLM- OREBRN125	1	1/2 12.5	\$7.37	\$7.37
Clear (satin silver)	GLM- OREC80	1	5/16 8	\$6.14	\$6.14
	GLM- OREC100	1	3/8 10	\$6.14	\$6.14
	GLM- OREC125	1	1/2 12.5	\$6.14	\$6.14
Dark Bronze <i>continued on next page</i>	GLM- OREDB80	1	5/16 8	\$6.14	\$6.14
	GLM- OREDB100	1	3/8 10	\$6.14	\$6.14
	GLM- OREDB125	1	1/2 12.5	\$6.14	\$6.14



ROUND EDGE CORNERS Continued

Color	Great Lakes #	Qty/pkg	Size: in / mm		Price/pc	Total
Dark Granite NEW!	GLM- OREDGRN100	1	3/8	10	\$13.10	\$13.10
	GLM- OREDGRN125	1	1/2	12.5	\$14.40	\$14.40
Granite NEW!	GLM- OREGRN100	1	3/8	10	\$13.10	\$13.10
	GLM- OREGRN125	1	1/2	12.5	\$14.40	\$14.40
Light Bronze	GLM- OREB80	1	5/16	8	\$6.14	\$6.14
	GLM- OREB100	1	3/8	10	\$6.14	\$6.14
	GLM- OREB125	1	1/2	12.5	\$6.14	\$6.14
Sand Stone NEW!	GLM- ORESAST100	1	3/8	10	\$13.10	\$13.10
	GLM- ORESAST125	1	1/2	12.5	\$14.40	\$14.40
Stainless Steel Mirror	GLM- ORESS80	1	5/16	8	\$12.27	\$12.27
	GLM- ORESS100	1	3/8	10	\$12.27	\$12.27
	GLM- ORESS120	1	1/2	12	\$12.87	\$12.87
White	GLM- OREW80	1	5/16	8	\$7.37	\$7.37
	GLM- OREW100	1	3/8	10	\$7.37	\$7.37
	GLM- OREW125	1	1/2	12.5	\$7.37	\$7.37



ROUND EDGE TOP CAP

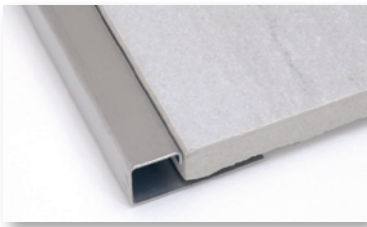
Color	Great Lakes #	Qty/pkg	Size: in / mm		Price/pc	Total
Clear (satin silver)	GLM- RETCC80	25	5/16	8	\$17.93	\$448.25
	GLM- RETCC100	25	3/8	10	\$18.69	\$467.25

A decorative transition used as a design element which acts as a chair rail, adding some depth to your tile project. This design has an added feature that allows you to hide the edge of wall paper behind the transition.

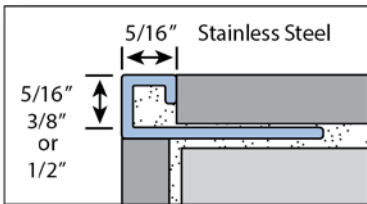
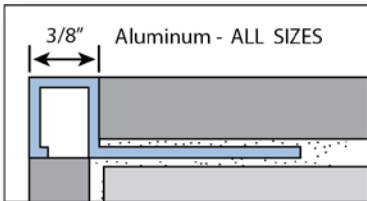
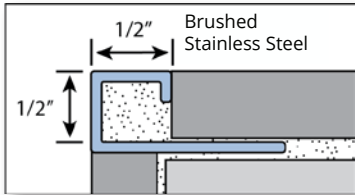


ROUND EDGE TOP CAP CORNERS

Color	Great Lakes #	Qty/pkg	Size: in / mm		Price/pc	Total
INSIDE CORNER Clear (satin silver)	GLM- IRETCC80	1	5/16	8	\$6.19	\$6.19
	GLM- IRETCC100	1	3/8	10	\$6.19	\$6.19
OUTSIDE CORNER Clear (satin silver)	GLM- ORETCC80	1	5/16	8	\$6.19	\$6.19
	GLM- ORETCC100	1	3/8	10	\$6.19	\$6.19



An accent trim which can be used to trim a corner edge or used between tiles in a wall application. Corners are also available.



SQUARE EDGE

Color	Great Lakes #	Qty/pkg	Size: in / mm		Price/pc	Total
Black (matte black)	GLM- SEBLK100	25	3/8	10	\$19.10	\$477.50
	GLM- SEBLK120	25	1/2	12	\$20.19	\$504.75
Bright Chrome (shiny silver)	GLM- SEBC100	25	3/8	10	\$18.39	\$459.75
	GLM- SEBC120	25	1/2	12	\$19.75	\$493.75
Brushed Nickel	GLM- SEBRN100	25	3/8	10	\$19.57	\$489.25
	GLM- SEBRN120	25	1/2	12	\$21.09	\$527.25
Clear (satin silver)	GLM- SEC100	25	3/8	10	\$17.79	\$444.75
	GLM- SEC120	25	1/2	12	\$19.66	\$491.50
Dark Granite NEW!	GLM- SEDGRN100	25	3/8	10	\$24.20	\$605.00
	GLM- SEDGRN120	25	1/2	12	\$25.70	\$642.50
Granite NEW!	GLM- SEGRN100	25	3/8	10	\$24.20	\$605.00
	GLM- SEGRN120	25	1/2	12	\$25.70	\$642.50
Light Bronze	GLM- SEB100	25	3/8	10	\$19.06	\$476.50
	GLM- SEB120	25	1/2	12	\$20.14	\$503.50
Sand Stone NEW!	GLM- SESAST100	25	3/8	10	\$24.20	\$605.00
	GLM- SESAST120	25	1/2	12	\$25.70	\$642.50
Stainless Steel Brushed	GLM- SEBRSS125	25	1/2	12.5	\$63.06	\$1576.50
Stainless Steel Mirror	GLM- SESS80	25	5/16	8	\$45.55	\$1138.75
	GLM- SESS100	25	3/8	10	\$48.93	\$1223.25
	GLM- SESS120	25	1/2	12	\$52.11	\$1302.75
White	GLM- SEW100	25	3/8	10	\$19.50	\$487.50
	GLM- SEW120	25	1/2	12	\$21.10	\$527.50

SQUARE EDGE CORNER



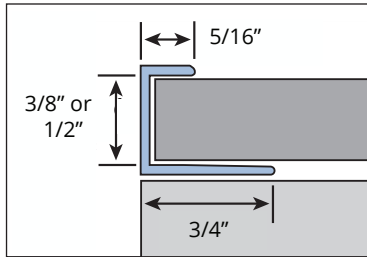
Color	Great Lakes #	Qty/pkg	Size: in / mm		Price/pc	Total
Black (matte black)	GLM- CSEBLK100	1	3/8	10	\$6.14	\$6.14
	GLM- CSEBLK120	1	1/2	12	\$6.38	\$6.38
Bright Chrome (shiny silver)	GLM- CSEBC100	1	3/8	10	\$6.14	\$6.14
	GLM- CSEBC120	1	1/2	12	\$6.38	\$6.38
Brushed Nickel	GLM- CSEBRN100	1	3/8	10	\$6.75	\$6.75
	GLM- CSEBRN120	1	1/2	12	\$6.98	\$6.98
Clear (satin silver)	GLM- CSEC100	1	3/8	10	\$6.14	\$6.14
	GLM- CSEC120	1	1/2	12	\$6.38	\$6.38
Dark Granite NEW!	GLM- CSEDGRN100	1	3/8	10	\$15.50	\$15.50
	GLM- CSEDGRN120	1	1/2	12	\$15.50	\$15.50
Granite NEW!	GLM- CSEGRN100	1	3/8	10	\$15.50	\$15.50
	GLM- CSEGRN120	1	1/2	12	\$15.50	\$15.50
Light Bronze	GLM- CSEB100	1	3/8	10	\$6.14	\$6.14
	GLM- CSEB120	1	1/2	12	\$6.38	\$6.38
Sand Stone NEW!	GLM- CSESAST100	1	3/8	10	\$15.50	\$15.50
	GLM- CSESAST120	1	1/2	12	\$15.50	\$15.50

continued on next page

SQUARE EDGE CORNER Continued



Color	Great Lakes #	Qty/pkg	Size: in / mm		Price/pc	Total
Stainless Steel Brushed	GLM- CSEBRSS125	1	1/2	12.5	\$13.72	\$13.72
Stainless Steel Mirror	GLM- CSESS80	1	5/16	8	\$12.27	\$12.27
	GLM- CSESS100	1	3/8	10	\$12.27	\$12.27
	GLM- CSESS120	1	1/2	12	\$12.87	\$12.87
White	GLM- CSEW100	1	3/8	10	\$6.75	\$6.75
	GLM- CSEW120	1	1/2	12	\$6.98	\$6.98

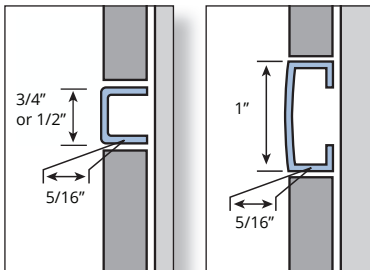


J CHANNEL



Color	Great Lakes #	Qty/pkg	Size: in / mm		Price/pc	Total
Black	GLM- JCHBLK100	25	3/8	10	\$18.86	\$471.50
Bright Chrome (shiny silver)	GLM- JCHBC100	25	3/8	10	\$17.02	\$425.50
	GLM- JCHBC125	25	1/2	12.5	\$17.69	\$442.25
Brushed Nickel	GLM- JCHBRN100	25	3/8	10	\$18.76	\$469.00
	GLM- JCHBRN125	25	1/2	12.5	\$19.43	\$485.75
Clear (satin silver)	GLM- JCHC100	25	3/8	10	\$16.24	\$406.00
	GLM- JCHC125	25	1/2	12.5	\$16.91	\$422.75
Light Bronze	GLM- JCHB100	25	3/8	10	\$16.61	\$415.25
	GLM- JCHB125	25	1/2	12.5	\$17.28	\$432.00

Versatile profile great for backsplashes, wall corners and bullnose alternative.



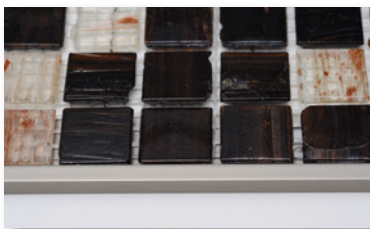
Stainless Steel Profile

Aluminum Profile

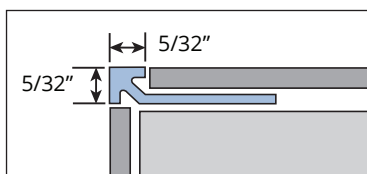
LISTELLO

Color	Great Lakes #	Qty/pkg	Size: in / mm		Price/pc	Total
Brushed Nickel	GLM- LSBRN250	10	1	25	\$20.86	\$208.60
Clear (satin silver)	GLM- LSC250	10	1	25	\$20.24	\$202.40
Stainless Steel Mirror	GLM- LSSS100	10	3/8	10	\$41.42	\$414.20
	GLM- LSSS200	10	3/4	20	\$48.39	\$483.90

Enhance your backsplash or field tile with our Listellos by adding a metallic flare to your project. Stainless Steel items safe for use in floor applications. A great way to accent tile in public, high-traffic areas.



MOSAIC/PORCELAIN LAMINATE TRIM

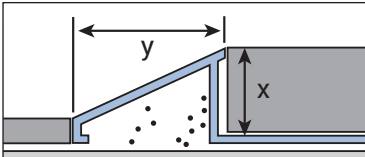


Color	Great Lakes #	Qty/pkg	Size: in / mm		Price/pc	Total
Clear (satin silver)	GLM- MOC45	25	5/32	4.5	\$12.15	\$303.75
Light Bronze	GLM- MOB45	25	5/32	4.5	\$12.38	\$309.50

An ideal trim for use with glass mosaic and thin porcelain laminate to form a perfect corner or finished edge.

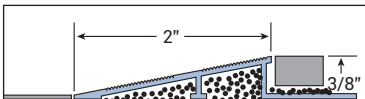
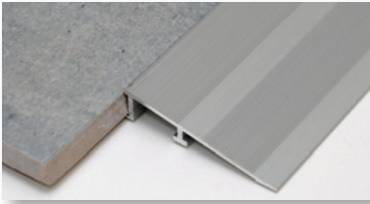


REDUCER

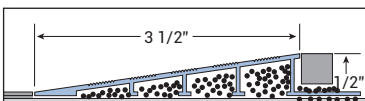
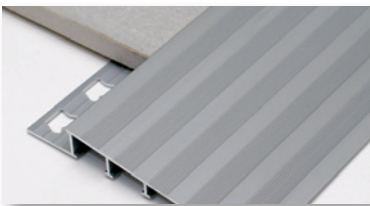


Reducer

if $x = 5/16''$ then $y = 3/8''$
 $x = 3/8''$ $y = 9/16''$
 $x = 1/2''$ $y = 3/4''$



Ramp Reducer ADA Compliant



Ramp Reducer ADA Compliant

Color	Great Lakes #	Qty/pkg	Size: in	/ mm	Price/pc	Total
Aluminum Mill** (aluminum silver - not anodized)	GLM- RA80	25	5/16	8	\$10.58	\$264.50
	GLM- RA100	25	3/8	10	\$10.81	\$270.25
	GLM- RA125	25	1/2	12.5	\$11.34	\$283.50
Bright Gold (shiny gold) Call for available quantities	GLM- RBG80	25	5/16	8	\$16.12	\$403.00
	GLM- RBG100	25	3/8	10	N/A	-----
	GLM- RBG125	25	1/2	12.5	\$17.37	\$434.25
Brushed Nickel	GLM- RBRN100	25	3/8	10	\$18.99	\$474.75
	GLM- RBRN125	25	1/2	12.5	\$19.61	\$490.25
Clear (satin silver)	GLM- RC80	25	5/16	8	\$13.54	\$338.50
	GLM- RC100	25	3/8	10	\$13.86	\$346.50
	GLM- RC125	25	1/2	12.5	\$14.16	\$354.00
Dark Bronze	GLM- RDB80	25	5/16	8	\$15.22	\$380.50
	GLM- RDB100	25	3/8	10	\$15.68	\$392.00
	GLM- RDB125	25	1/2	12.5	\$16.35	\$408.75
Gold (satin gold)	GLM- RG80	25	5/16	8	\$14.16	\$354.00
	GLM- RG100	25	3/8	10	\$14.81	\$370.25
	GLM- RG125	25	1/2	12.5	\$15.45	\$386.25
Light Bronze	GLM- RB80	25	5/16	8	\$14.81	\$370.25
	GLM- RB100	25	3/8	10	\$15.45	\$386.25
	GLM- RB125	25	1/2	12.5	\$16.12	\$403.00
Stainless Steel Natural	GLM- RSS100	25	3/8	10	\$51.47	\$1286.75

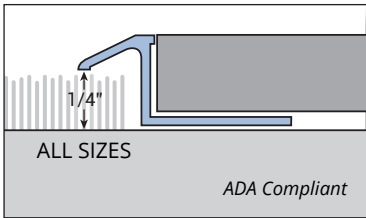
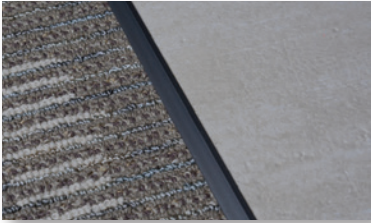
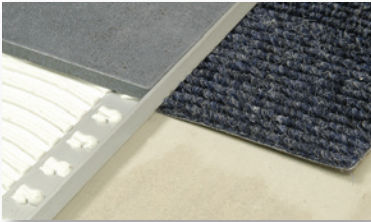
A great trim and edge protection which provides a smooth transition from tiled floors to lower floor coverings, avoiding a trip hazard.

****Non-anodized aluminum, known as "Mill" finish, is recommended for commercial applications only.**

RAMP REDUCER

Color	Great Lakes #	Qty/pkg	Size: in / mm	Price/pc	Total	
Clear (satin silver)	GLM- RRC100	25	3/8	10	\$26.89	\$672.25
	GLM- RRC125	25	1/2	12.5	\$52.34	\$1308.50

Provides an excellent gradual transition from tiled floors to slab or other lower flooring. A great choice for areas where push carts are used.



CARPET TUCK

Color	Great Lakes #	Qty/pkg	Size: in / mm		Price/pc	Total
Black (matte black)	GLM- TKBLK100	25	3/8	10	\$17.39	\$434.75
Bright Gold (shiny gold)	GLM- TKBG100	25	3/8	10	\$17.07	\$426.75
Brushed Nickel	GLM- TKBRN100	25	3/8	10	\$16.91	\$422.75
	GLM- TKBRN125	25	1/2	12.5	\$20.44	\$511.00
Clear (satin silver)	GLM- TKC80	25	5/16	8	\$13.86	\$346.50
	GLM- TKC100	25	3/8	10	\$14.83	\$370.75
	GLM- TKC125	25	1/2	12.5	\$18.02	\$450.50
Gold (satin gold)	GLM- TKG80	25	5/16	8	\$14.51	\$362.75
	GLM- TKG100	25	3/8	10	\$15.75	\$393.75
	GLM- TKG125	25	1/2	12.5	\$19.33	\$483.25
Light Bronze	GLM- TKB80	25	5/16	8	\$15.13	\$378.25
	GLM- TKB100	25	3/8	10	\$16.45	\$411.25
	GLM- TKB125	25	1/2	12.5	\$19.94	\$498.50

An excellent choice to transition from tiled flooring to a tight piled carpet. Provides a 1/4" gap under the trim in which to tuck the carpet's edge. Keeps carpet from fraying. All three sizes are ADA compliant for elevation changes of floor coverings.



Booth at Coverings Trade Show

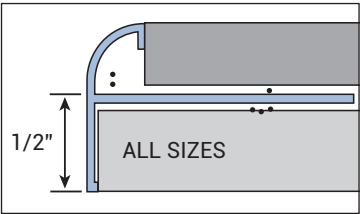


Great Lakes Tile Products Warehouse





T CHANNEL



Color	Great Lakes #	Qty/pkg	Size: in	/ mm	Price/pc	Total
Brushed Nickel	GLM- TCHBRN80	25	5/16	8	\$20.30	\$507.50
	GLM- TCHBRN100	25	3/8	10	\$21.09	\$527.25
	GLM- TCHBRN125	25	1/2	12.5	\$24.02	\$600.50
Clear (satin silver)	GLM- TCHC80	25	5/16	8	\$19.33	\$483.25
	GLM- TCHC100	25	3/8	10	\$20.58	\$514.50
	GLM- TCHC125	25	1/2	12.5	\$21.25	\$531.25
Gold (satin gold) Call for available quantities	GLM- TCHG80	25	5/16	8	\$19.33	\$483.25
	GLM- TCHG100	25	3/8	10	\$20.58	\$514.50
	GLM- TCHG125	25	1/2	12.5	\$21.25	\$531.25
Light Bronze	GLM- TCHB80	25	5/16	8	\$19.33	\$483.25
	GLM- TCHB100	25	3/8	10	\$20.58	\$514.50
	GLM- TCHB125	25	1/2	12.5	\$21.25	\$531.25
White NEW!	GLM-TCHW100	25	3/8	10	\$22.10	\$552.50

A newer industry design exclusively from Great Lakes Tile. This trim was introduced to provide an alternative solution for trimming large tiles used on walls when the tile and backer board or mud backing needs to be finished.

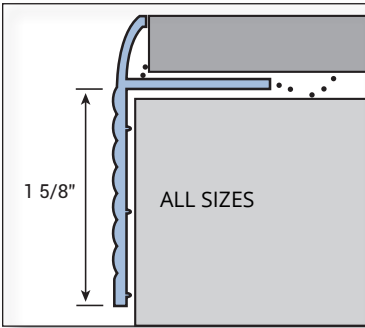
T CHANNEL CORNER **NEW!**



Color	Great Lakes #	Qty/pkg	Size: in	/ mm	Price/pc	Total
Brushed Nickel	GLM- OTCHBRN100	1	3/8	10	\$12.71	\$12.71
Clear (satin silver)	GLM- OTCHC100	1	3/8	10	\$11.78	\$11.78
Light Bronze	GLM- OTCHB100	1	3/8	10	\$12.13	\$12.13
White	GLM-OTCHW100	1	3/8	10	\$15.14	\$15.14

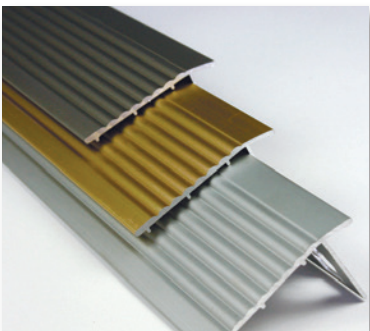
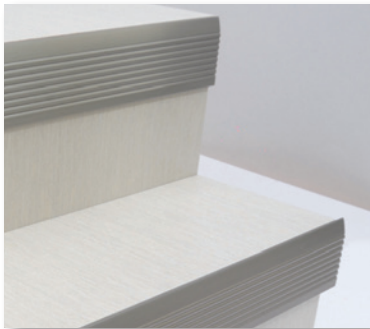


TREAD EDGE 4 FT



Color	Great Lakes #	Qty/pkg	Size: in / mm		Price/pc	Total
Brushed Nickel	GLM- TEBRN4100	25	3/8	10	\$20.26	\$506.50
Clear (satin silver)	GLM- TEC480	25	5/16	8	\$16.72	\$418.00
	GLM- TEC4100	25	3/8	10	\$17.07	\$426.75
	GLM- TEC4125	25	1/2	12.5	\$17.37	\$434.25
Gold (satin gold)	GLM- TEG480	25	5/16	8	\$17.60	\$440.00
	GLM- TEG4100	25	3/8	10	\$18.02	\$450.50
	GLM- TEG4125	25	1/2	12.5	\$18.32	\$458.00
Light Bronze	GLM- TEB480	25	5/16	8	\$18.02	\$450.50
	GLM- TEB4100	25	3/8	10	\$18.32	\$458.00
	GLM- TEB4125	25	1/2	12.5	\$18.69	\$467.25

TREAD EDGE 8 FT



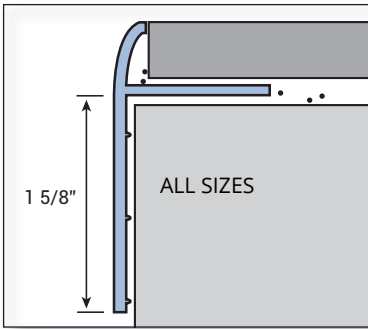
Color	Great Lakes #	Qty/pkg	Size: in / mm		Price/pc	Total
Brushed Nickel	GLM- TEBRN8100	15	3/8	10	\$34.93	\$523.95
Clear (satin silver)	GLM- TEC880	15	5/16	8	\$29.61	\$444.15
	GLM- TEC8100	15	3/8	10	\$30.24	\$453.60
	GLM- TEC8125	15	1/2	12.5	\$30.88	\$463.20
Gold (satin gold)	GLM- TEG880	15	5/16	8	\$30.24	\$453.60
	GLM- TEG8100	15	3/8	10	\$30.88	\$463.20
	GLM- TEG8125	15	1/2	12.5	\$31.55	\$473.25
Light Bronze	GLM- TEB880	15	5/16	8	\$30.88	\$463.20
	GLM- TEB8100	15	3/8	10	\$31.55	\$473.25
	GLM- TEB8125	15	1/2	12.5	\$32.18	\$482.70

This patented trim has found many applications. It is most commonly used for the face edge of a stair step, primarily on the main floor going to the first step of the basement or lower level.



TREAD EDGE SMOOTH FACE 4 FT

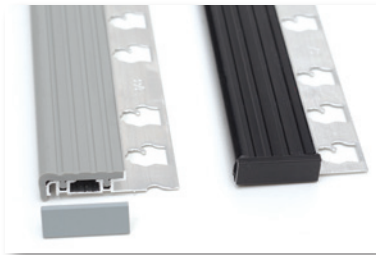
Color	Great Lakes #	Qty/pkg	Size: in / mm		Price/pc	Total
Brushed Nickel	GLM- TESBRN4100	25	3/8	10	\$18.83	\$470.75
	GLM- TESBRN4125	25	1/2	12.5	\$19.15	\$478.75



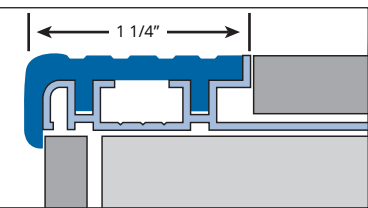
TREAD EDGE SMOOTH FACE 8 FT

Color	Great Lakes #	Qty/pkg	Size: in / mm		Price/pc	Total
Brushed Nickel	GLM- TESBRN8100	15	3/8	10	\$32.39	\$485.85
	GLM- TESBRN8125	15	1/2	12.5	\$32.96	\$494.40

This profile works in the same applications as our "Ribbed" Tread Edge but you now have a design option to make your project more contemporary.



HYBRID STAIR NOSE & END CAP

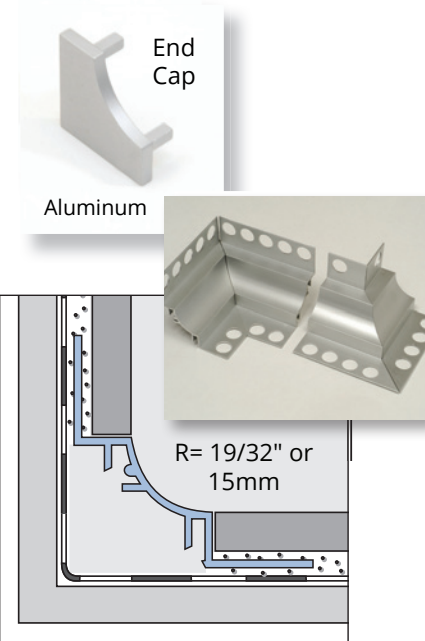


Color	Great Lakes #	Qty/pkg	Size: in / mm		Price/pc	Total
HYBRID STAIR NOSE Black	GLM- HSBLK100	20	3/8	10	\$35.81	\$716.20
	GLM- HSBLK125	20	1/2	12.5	\$39.15	\$783.00
Gray	GLM- HSGY100	20	3/8	10	\$35.81	\$716.20
	GLM- HSGY125	20	1/2	12.5	\$39.15	\$783.00
END CAP Black	GLM- ECHSBLK100	1	3/8	10	\$6.14	\$6.14
	GLM- ECHSBLK125	1	1/2	12.5	\$6.56	\$6.56
Gray	GLM- ECHSGY100	1	3/8	10	\$6.14	\$6.14
	GLM- ECHSGY125	1	1/2	12.5	\$6.56	\$6.56

Minimizes slips on tiled stairs in entryways and wet areas by utilizing a grooved plastic in conjunction with an aluminum base and mud flange. The extended lip allows the risers' edge to be covered leaving a clean finish.



INTERNAL COVE & ACCESSORIES



Color	Great Lakes #	Qty/pkg	Size: in	/ mm	Price/pc	Total
INTERNAL COVE Clear (satin silver)	GLM- CVC100	20	3/8	10	\$22.06	\$441.20
	GLM- CVC125	20	1/2	12.5	\$23.33	\$466.60
Stainless Steel Natural	GLM- CVSS100	10	3/8	10	\$70.09	\$700.90
COVE CORNER Clear (satin silver)	GLM- ICVC100 (inside corner)	1	3/8	10	\$12.27	\$12.27
	GLM- ICVC125 (inside corner)	1	1/2	12.5	\$13.10	\$13.10
	GLM- OCVC100 (outside corner)	1	3/8	10	\$12.27	\$12.27
	GLM- OCVC125 (outside corner)	1	1/2	12.5	\$13.10	\$13.10
Stainless Steel Natural	GLM- ICVSS100 (inside corner)	1	3/8	10	\$7.74	\$7.74
	GLM- OCVSS100 (outside corner)	1	3/8	10	\$7.74	\$7.74
END CAP Clear (satin silver)	GLM- ECCVC100	1	3/8	10	\$10.12	\$10.12
	GLM- ECCVC125	1	1/2	12.5	\$10.72	\$10.72
Stainless Steel Natural	GLM- ECCVSS100	1	3/8	10	\$12.27	\$12.27
COVE CONNECTOR Stainless Steel Natural	GLM- CNCVSS100	1	3/8	10	\$7.37	\$7.37

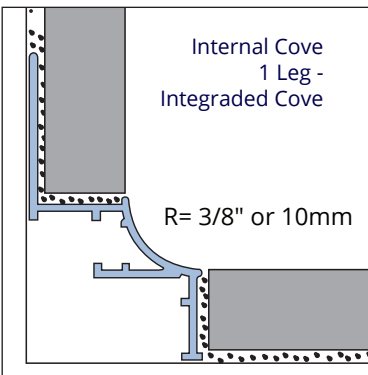
Our internal cove is an alternative installation method for commercial floor to wall transitions which aids in keeping a sanitary environment. The use of our Stainless Steel version will also provide added chemical resistance as required in some applications. Inside and outside corners are also available.

INTERNAL COVE 1 LEG & ACCESSORIES

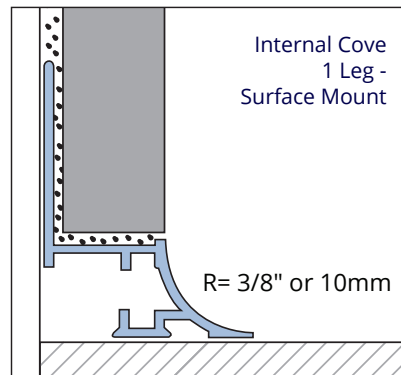


Color	Great Lakes #	Qty/pkg	Size: in	/ mm	Price/pc	Total
INTERNAL COVE 1 LEG - SURFACE MOUNT Clear (satin silver)	GLM- CV1LSMC80	20	5/16	8	\$17.02	\$340.40
	GLM- CV1LSMC100	20	3/8	10	\$17.46	\$349.20
	GLM- CV1LSMC125	20	1/2	12.5	\$18.04	\$360.80
INTERNAL COVE 1 LEG - INTEGRATED COVE Clear (satin silver)	GLM- CV1LICC100	20	3/8	10	\$20.12	\$402.40
	GLM- CV1LICC125	20	1/2	12.5	\$21.34	\$426.80
UNIVERSAL INSIDE COVE 1 LEG CORNER Clear (satin silver)	GLM- UI1LCVC	1	n/a	n/a	\$13.28	\$13.28
UNIVERSAL OUTSIDE COVE 1 LEG CORNER Clear (satin silver)	GLM- UO1LCVC	1	n/a	n/a	\$13.28	\$13.28
UNIVERSAL END CAP RIGHT COVE 1 LEG Clear (satin silver)	GLM- UECR1LCVC	1	n/a	n/a	\$10.12	\$10.12
UNIVERSAL END CAP LEFT COVE 1 LEG Clear (satin silver)	GLM- UECL1LCVC	1	n/a	n/a	\$10.12	\$10.12

The Universal Corners and End Caps are interchangeable on all three sizes and both styles.



The Internal Cove 1 Leg Integrated Cove design provides a single "mud flange" for use when tiling a commercial floor and when the adjoining walls are not on right angles to each other.



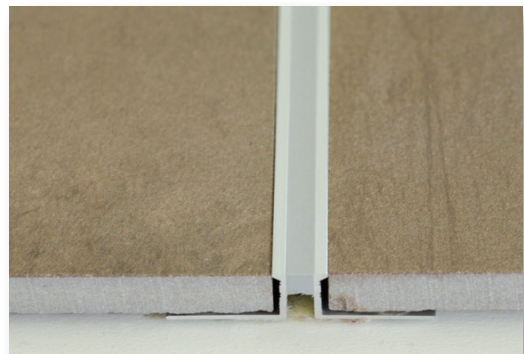
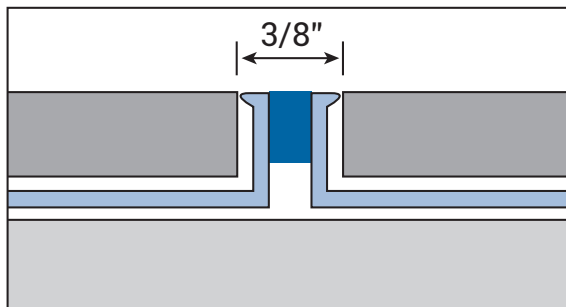
The Internal Cove 1 Leg Surface Mount allows a smooth transition from an existing finished floor to a wall that will then be tiled.



EXPANSION JOINT

Color	Great Lakes #	Qty/pkg	Size: in	/ mm	Price/pc	Total
Black	GLM- EJBLK100	20	3/8	10	\$32.22	\$644.40
	GLM- EJBLK125	20	1/2	12.5	\$33.59	\$671.80
Gray	GLM- EJGY100	20	3/8	10	\$32.22	\$644.40
	GLM- EJGY125	20	1/2	12.5	\$33.59	\$671.80
	GLM- EJGY160	20	5/8	16	\$42.62	\$852.40

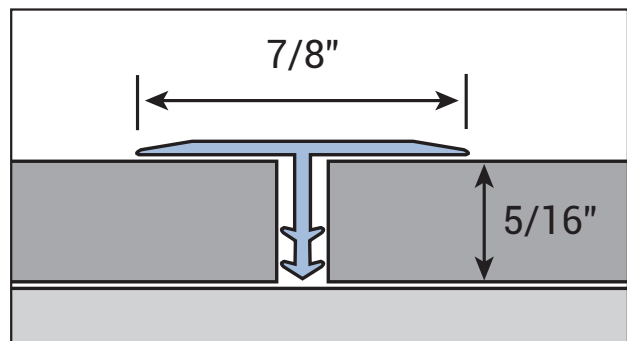
Two pieces of Mill finish support legs joined by a polyurethane core. This allows the relief needed during the expansion and contraction of the substrate slab under the tile thus preventing the tile from cracking due to this movement.



JOINT COVER

Color	Great Lakes #	Qty/pkg	Size:	in / mm	Price/pc	Total
Clear (satin silver)	GLM- JCC220	50	7/8	22	\$13.49	\$674.50

A universal trim piece that allows for a clean transition between two different floor coverings on level or almost level surfaces.





COMMERCIAL PROJECTS

Our trims and profiles meet or exceed project spec requirements, often at a significant savings for our clients.

Many profiles are made from Stainless Steel 304, thus providing sanitary, chemical-resistant and damage-resistant installations. Where applicable, our transition products are ADA compliant.

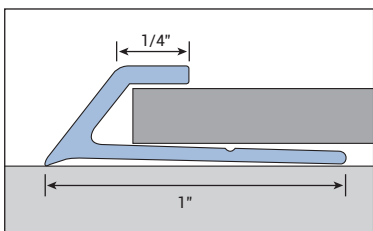
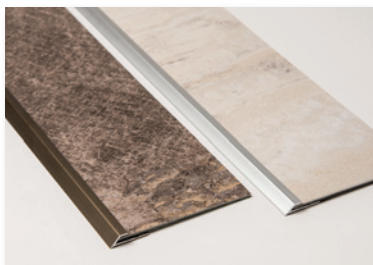
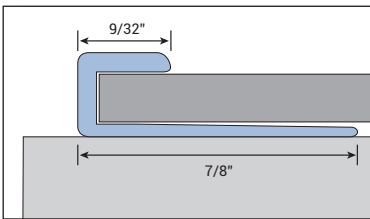
LVT METAL TRIMS

Great Lakes Tile Products now offers beautiful, complementary transitions that are as durable as the finest Luxury Vinyl Tile. Made specifically for today's fastest growing floor covering, our profiles are constructed from the same high-quality aluminum used for all our trims and transitions.



SQUARE EDGE CAP

LVT Trims

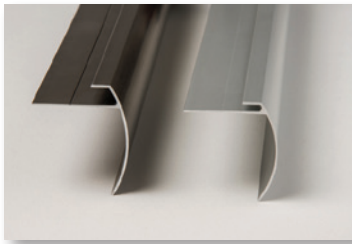
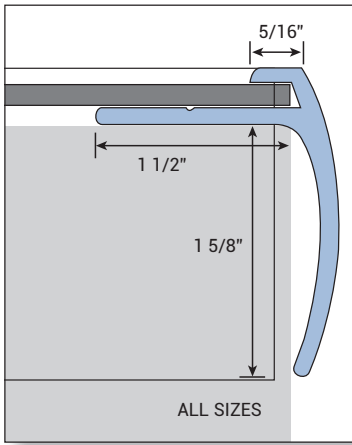


Color	Great Lakes #	Qty/pkg	Size: in / mm		Price/pc	Total
Clear (satin silver)	GLM- LVSEC30	50	1/8	3	\$9.19	\$459.50
	GLM- LVSEC40	50	5/32	4	\$9.45	\$472.50
	GLM- LVSEC50	50	7/32	5	\$9.63	\$481.50
	GLM- LVSEC80	50	5/16	8	\$10.56	\$528.00
Dark Bronze	GLM- LVSEDB30	50	1/8	3	\$9.89	\$494.50
	GLM- LVSEDB40	50	5/32	4	\$10.14	\$507.00
	GLM- LVSEDB50	50	7/32	5	\$10.35	\$517.50
	GLM- LVSEDB80	50	5/16	8	\$11.32	\$566.00
Light Bronze	GLM- LVSEB30	50	1/8	3	\$9.63	\$481.50
	GLM- LVSEB40	50	5/32	4	\$9.89	\$494.50
	GLM- LVSEB50	50	7/32	5	\$10.09	\$504.50
	GLM- LVSEB80	50	5/16	8	\$11.06	\$553.00

REDUCER

LVT Trims

Color	Great Lakes #	Qty/pkg	Size: in / mm		Price/pc	Total
Clear (satin silver)	GLM- LVRC30	50	1/8	3	\$9.77	\$488.50
	GLM- LVRC40	50	5/32	4	\$10.03	\$501.50
	GLM- LVRC50	50	7/32	5	\$10.28	\$514.00
	GLM- LVRC80	50	5/16	8	\$12.10	\$605.00
Dark Bronze	GLM- LVRDB30	50	1/8	3	\$10.46	\$523.00
	GLM- LVRDB40	50	5/32	4	\$10.79	\$539.50
	GLM- LVRDB50	50	7/32	5	\$11.06	\$553.00
	GLM- LVRDB80	50	5/16	8	\$12.59	\$629.50
Light Bronze	GLM- LVRB30	50	1/8	3	\$10.21	\$510.50
	GLM- LVRB40	50	5/32	4	\$10.53	\$526.50
	GLM- LVRB50	50	7/32	5	\$10.81	\$540.50
	GLM- LVRB80	50	5/16	8	\$13.03	\$651.50

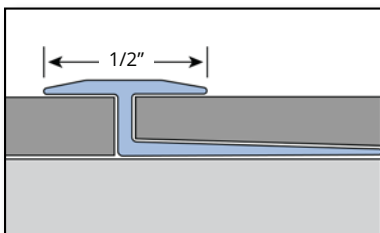


STAIR NOSE LVT Trims

Color	Great Lakes #	Qty/pkg	Size: in / mm		Price/pc	Total
Clear (satin silver)	GLM- LVSNC30	30	1/8	3	\$24.14	\$724.20
	GLM- LVSNC40	30	5/32	4	\$24.44	\$733.20
	GLM- LVSNC50	30	7/32	5	\$24.58	\$737.40
	GLM- LVSNC80	30	5/16	8	\$26.13	\$783.90
Dark Bronze	GLM- LVSND30	30	1/8	3	\$25.80	\$774.00
	GLM- LVSND40	30	5/32	4	\$26.13	\$783.90
	GLM- LVSND50	30	7/32	5	\$26.26	\$787.80
	GLM- LVSND80	30	5/16	8	\$27.88	\$836.40
Light Bronze	GLM- LVSNB30	30	1/8	3	\$25.55	\$766.50
	GLM- LVSNB40	30	5/32	4	\$25.87	\$776.10
	GLM- LVSNB50	30	7/32	5	\$26.01	\$780.30
	GLM- LVSNB80	30	5/16	8	\$27.63	\$828.90



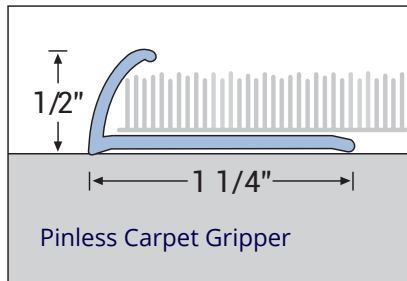
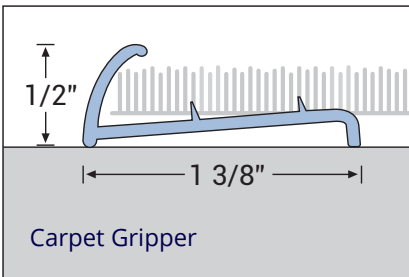
T CHANNEL LVT Trims NEW!



Color	Great Lakes #	Qty/pkg	Size: in / mm		Price/pc	Total
Clear (satin silver)	GLM-LVTC50	50	7/32	5	\$11.64	\$582.00
	GLM-LVTC80	50	5/16	8	\$12.42	\$621.00
Dark Bronze	GLM-LVTDB50	50	7/32	5	\$12.36	\$618.00
	GLM-LVTDB80	50	5/16	8	\$13.08	\$654.00
Light Bronze	GLM-LVTB50	50	7/32	5	\$12.36	\$618.00
	GLM-LVTB80	50	5/16	8	\$13.08	\$654.00

CARPET METAL TRIMS

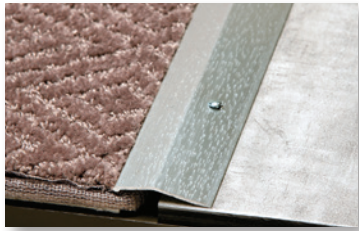
These transition pieces are a new product line from Great Lakes Tile Products. We utilized historic designs adding our enhanced specifications for material thickness. The result is a strong and durable transition from carpet to other floor coverings.



CARPET GRIPPER Carpet Metal Trims

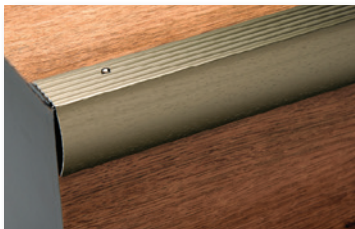
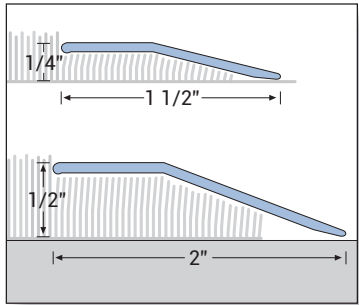
Color	Great Lakes #	Qty/pkg	Size: in	/ mm	Price/pc	Total
CARPET GRIPPER Hammered Gold	GLM- HCGG125	20	1/2	12.5	\$7.62	\$152.40
Hammered Light Bronze	GLM- HCGB125	20	1/2	12.5	\$11.09	\$221.80
Hammered Satin Silver	GLM- HCGC125	20	1/2	12.5	\$7.39	\$147.80
PINLESS CARPET GRIPPER Hammered Gold	GLM- HPGG125	30	1/2	12.5	\$7.39	\$221.70
Hammered Light Bronze	GLM- HPGB125	30	1/2	12.5	\$9.01	\$270.30
Hammered Satin Silver	GLM- HPGC125	30	1/2	12.5	\$7.16	\$214.80
BENDABLE CARPET GRIPPER Hammered Gold	GLM- BNDHCGG125	20	1/2	12.5	\$8.78	\$175.60
Hammered Light Bronze	GLM- BNDHCGB125	20	1/2	12.5	\$12.24	\$244.80
Hammered Satin Silver	GLM- BNDHCGC125	20	1/2	12.5	\$8.55	\$171.00

All Carpet Metal Trims are sold in 8 ft lengths



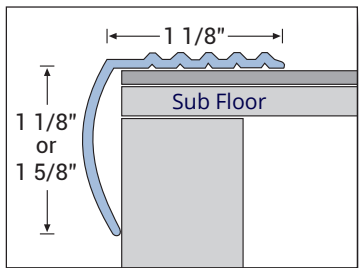
BINDER BAR Carpet Metal Trims

Color	Great Lakes #	Qty/pkg	Size: in / mm		Price/pc	Total
Hammered Gold	GLM- HBBG1-125*	50	1-1/2	38	\$8.43	\$421.50
	GLM- HBBG2*	25	2	50	\$14.21	\$355.25
Hammered Light Bronze	GLM- HBBB1-125*	50	1-1/2	38	\$9.70	\$485.00
	GLM- HBBB2*	25	2	50	\$14.78	\$369.50
Hammered Satin Silver	GLM- HBBC1-125*	50	1-1/2	38	\$8.09	\$404.50
	GLM- HBBC2*	25	2	50	\$12.36	\$309.00



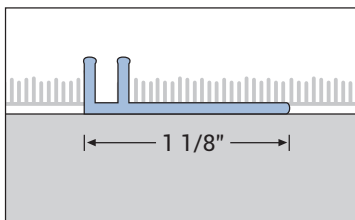
STAIR NOSE Carpet Metal Trims

Color	Great Lakes #	Qty/pkg	Size: in / mm		Price/pc	Total
Hammered Satin Silver	GLM- HSNC1-30*	20	1-1/8	28	\$10.16	\$203.20
	GLM- HSNC1-160*	20	1-5/8	42.5	\$13.86	\$277.20
Hammered Gold	GLM- HSNB1-30*	20	1-1/8	28	\$11.32	\$226.40
	GLM- HSNB1-160*	20	1-5/8	42.5	\$15.02	\$300.40
Hammered Light Bronze	GLM- HSNB1-30*	20	1-1/8	28	\$11.55	\$231.00
	GLM- HSNB1-160*	20	1-5/8	42.5	\$18.48	\$369.60



PINLESS TRACK Carpet Metal Trims

Color	Great Lakes #	Qty/pkg	Size: in/mm		Price/pc	Total
Aluminum Mill (aluminum silver - not anodized)	GLM- PT1-28	40	1-1/8	28	7.16	286.4

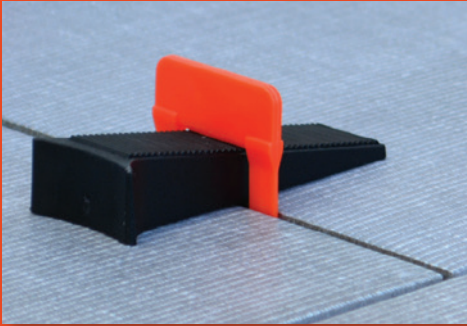


* Items marked with an asterisk include nails with full box quantities

All Carpet Metal Trims are sold in 8 ft lengths



EVENTILE LEVELING SPACER SYSTEM



Fast. Accurate. Economical.
The best tile spacing system on the planet - guaranteed!

Eventile spacer clips and wedges level your tiles, making sure your tiles are even and aligned, with no lippage or uneven tiles during installation or curing. It's like having an extra pair of hands, working overtime by your side.

LEVELING SPACER CLIPS

Color	Great Lakes #	Qty/Case	Bags/Case	Size in	Size mm	Price/Case
Blue	GLM- LC30	2500	10	1/8"	3	\$253.00
Gray	GLM- LC40	2500	10	3/16"	4	\$253.00
Orange	GLM- LC15	2500	10	1/16"	1.5	\$253.00
White	GLM- LC10	2500	10	1/32"	1	\$253.00

The Eventile Universal Wedges are used with all Eventile Spacer Clips in the leveling process. Made of durable, thick plastic, these wedges have a contoured backing for a better hand grip. The ridges on the top of the wedge are part of the locking method with the spacer clips. They are also reusable!

Please see **Terms of Sale** on Page 31.
Cannot be combined with Trims and Profiles.

Eventile exclusive patented pliers feature an ergonomic design to reduce hand fatigue and speed up securing of wedges. The tool optimizes pressure on the tiles to maintain even pressure throughout the installation which guarantees an even-spaced, level and aligned tile area without the hassles.

UNIVERSAL WEDGE REUSABLE

Color	Great Lakes #	Qty/Case	Bags/Case	Price/Case
Black	GLM- WG	2000	8	\$269.50

LEVELING PLIERS

Great Lakes #	Qty/pkg	Price
GLM- PLR	1	\$26.40








- Very easy to learn and use at any skill level.
- Great for use with tiles of varied thickness.
- Requires minimal effort to install & remove.
- Eliminates lippage and prevents tile from moving during the installation.
- Speeds up installations.
- Decreases call-backs due to poor installation.



Usage Table

Clip and wedge usage and locations vary by tile size.

Below are recommended quantities needed per square foot of installation.

Tile Dimensions	Pieces per sq. ft.		
 12"x 12"	12"x 18"	12"x 36"	
4	2	3	
 12"x 48"	18"x 18"	18"x 36"	
2	2	1	
 20"x 20"	24"x 24"	24"x 12"	
1	2	3	
 32"x 32"	40"x 20"	48"x 24"	
1	1	1	
 48"x 48"	6" x3 6"	6" x2 4"	
1	4	4	



Give this innovative product a try!
Sample packets available upon request.

EVEN TILE[®]
 BUILT FOR THE TRADE
 Exclusive Distributor



RECESSED NICHES for Tiled Showers and Walls



Ready for tile and completely waterproof, these durable, lightweight niches help you create attractive, tiled shelves in a matter of minutes.

- Install vertically or horizontally
- Group together for multiple design configurations
- Fits standard wall framing
- Will not mold, mildew, rust or leak
- Strong bond with polymer modified thin-set mortar



GLM- NCH1418
16" x 20"
outside dimensions
14" x 18" x 3 7/8"
inside dimensions



GLM- NCH1418X2
16" x 20" with inner shelf
outside dimensions
14" x 12 1/4" x 3 7/8" top
inside dimensions
14" x 4" x 3 7/8" bottom
inside dimensions



GLM- NCH1414
15 5/8" x 15 5/8"
outside dimensions
13 5/8" x 13 5/8" x 3 7/8"
inside dimensions



GLM- NCH614
15 5/8" x 7 5/8"
outside dimensions
13 1/4" x 5 3/4" x 3 7/8"
inside dimensions



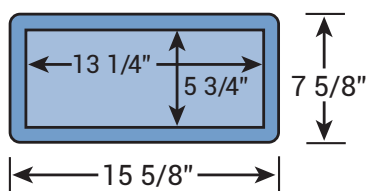
Overall depth measures 4" with rough-in depth of 3 1/2". Niches mount flush in 2" x 4" stud wall construction on 16" centers with 1/2" backer board. Some installations, including horizontal, may require additional framing to properly secure/support the niche.

See our website for additional information.

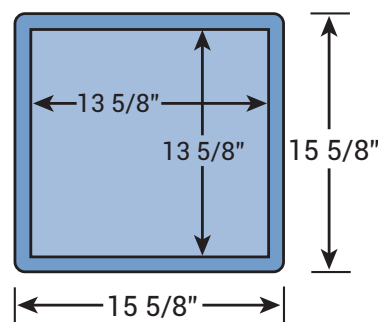
RECESSED NICHEs for Tiled Showers and Walls

Item	Great Lakes #	Qty/pkg	Size	Price/pc	Total
Double Tier Niche	GLM- NCH1418X2	6	14" x 18"	\$68.20	\$409.20
Rectangle Niche	GLM- NCH1418	6	14" x 18"	\$61.60	\$369.60
Small Rectangle Niche	GLM- NCH614	6	6" x 14"	\$35.20	\$211.20
Square Niche	GLM- NCH1414	6	14" x 14"	\$48.40	\$290.40

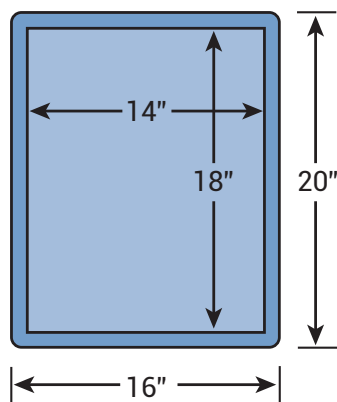
GLM- NCH614
6" x 14"



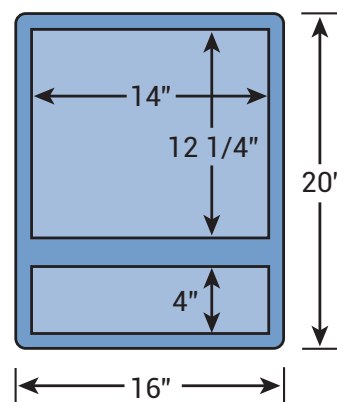
GLM- NCH1414
14" x 14"



GLM- NCH1418
14" x 18"



GLM- NCH1418X2
14" x 12 1/4"
14" x 4"



NICHE PREPAID FREIGHT

Please see **Terms of Sale** on Page 31. *Cannot be combined with Trims and Profiles.*



CLEVER CORNER Shower Corner Shelf



For New Construction and Remodeling Projects

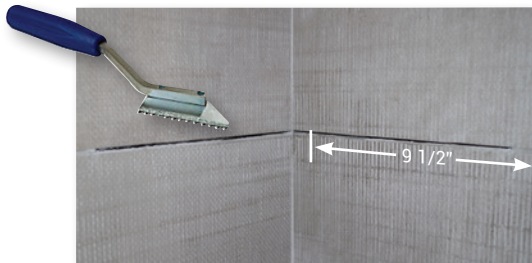
Fits Into Grout Joint

No Tile Cutting Required

Patented in USA and Canada

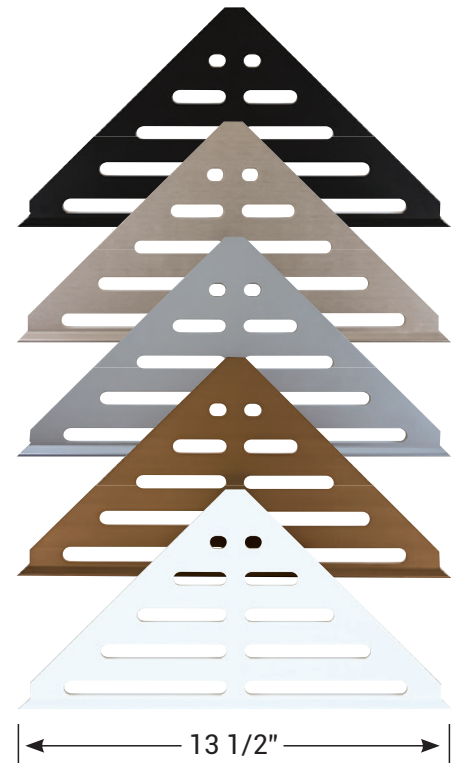


Color	Great Lakes #	Qty/pkg	Price/pc	Total
Black	GLM- CSHBLK	25	\$31.19	\$779.75
Brushed Nickel	GLM- CSHBRN	25	\$30.01	\$750.25
Chrome	GLM- CSHCM	25	\$28.88	\$722.00
Dark Bronze	GLM- CSHDB	25	\$38.58	\$964.50
Dark Granite	GLM-CSHDGRN	25	\$38.58	\$964.50
Granite	GLM-CSHGRN	25	\$38.58	\$964.50
Sandstone	GLM-CSHSAST	25	\$38.58	\$964.50
White	GLM- CSHW	25	\$31.19	\$779.75



Easy to install...

- Remove grout approximately 9 1/2" from inner corner on each wall using a grout saw or rotary tool.
- Apply silicone in the grout cavity and/or on the edge of the shelf.
- Insert the Clever Corner Shower Shelf into the grout joint and allow the silicone to cure.
- Finish installation with additional silicone or color matching grout caulk to form a water-tight seal.



FREE SHIPPING on full cartons of 25 pieces. Lesser quantities can be combined with Niche orders to qualify for free shipping.

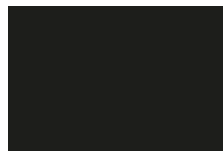
Please see **Terms of Sale** on Page 31. *Cannot be combined with Trims and Profiles.*

COLORS

We offer a variety of finishes for our trims and transitions. Not all finishes are available for each size and style, please refer to each style matrix to determine availability. Photos are a representation of each color, actual finish may vary.

What is the difference between a Mill and Anodized Finish? Anodizing is an electro-chemical process used to promote the growth of aluminum oxide which is then color dyed and sealed.

This process gives the aluminum a decorative, appealing finish which also significantly reduces the corrosion of aluminum alloy. Non-anodized aluminum, also known as "Mill" finish, when exposed to room temperature (oxygen) will begin the natural corrosion process, which produces an aluminum oxide on the surface. Mill finish is more susceptible to scratches.



Black
Matte Black



Bright Chrome
Shiny Silver



Bright Gold
Shiny Gold



Brushed Nickel



Clear
Satin Silver



Dark Bronze



Gold
Satin Gold



Light Bronze
Satin Champagne



Mill Finish
Aluminum Silver - Not Anodized



Dark Granite



Sand Stone



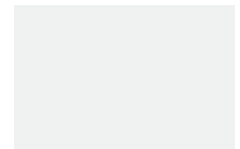
Granite



PVC Beige



PVC White



White
Powder Coat



Hammered
Gold



Hammered
Light Bronze



Hammered
Satin Silver



Stainless Steel
Mirror



Stainless Steel
Natural



DISPLAYS & SAMPLE BOARDS

Sample boards and rings are a great way to help your customer select the proper color and profile. Commercial item rings and inventory display racks are also available. Please contact your sales representative for details.



GREAT LAKES TILE PRODUCTS TERMS OF SALE

SALES TAX No Sales Taxes, Federal, State, County or Municipality for customers who provide Tax Exempt and/or state issued Resale Number.

PAYMENT TERMS Invoices are to be paid in U.S. Funds and are net 30 unless otherwise indicated on our invoice. Payments may be made by credit card upon our receipt of your purchase order. Accounts 60 days or more past due are placed on C.O.D. and subject to 1.5% per month (18% per annum) service charge on the unpaid balance.

PRODUCTION OR SHIPPING DELAYS Shipping point is F.O.B. Rochester, Michigan or any other designated point. Any shipments lost in transit and/or delayed in receipt should be reported by the purchaser to Great Lakes Tile Products, Inc. as soon as it is determined. Great Lakes Tile Products, Inc. assumes no responsibility for production delays as a result from incidents prior stated or due to strikes, accidents or other matters beyond our control.

LIMITED WARRANTY The following is made in lieu of all warranties, expressed or implied. All recommendations, statements and technical data regarding our products are based on tests we believe to be reliable and correct, but accuracy and completeness of said tests are not guaranteed and are not to be construed as a warranty either express or implied. User shall rely on his/her own information and tests to determine suitability of the products for the intended use and user assumes all risks and liability resulting from the use of the product. Great Lakes Tile Products, Inc. sole responsibility shall be to replace that portion of the product of our manufacture which proves to be defective. Great Lakes Tile Products, Inc. shall not be liable for any or all personal injury nor property damage resulting from the handling, possession, use of, or inability to use or the resale of the product, whether used alone or in combination with other products or substances. In no event shall Great Lakes Tile Products, Inc. be liable for incidental or consequential damages, whether buyers (users) claim is in contract, negligence or otherwise. Recommendations or statements other than those contained in a written agreement, signed by an officer of Great Lakes Tile Products, Inc. shall not be binding.

CLAIMS Any claim for damage, shortages, mis-delivery or defects of the products purchased must be made in writing to Great Lakes Tile Products, Inc. at the time of delivery.

HANDLING CHARGES For orders of less than full package quantities, a \$5.00 packaging fee will be added for materials used to strengthen packages to protect small quantity orders from in-transit damage.

PREPAID FREIGHT FOR TRIMS & PROFILES Freight is FREE for all orders over \$1000.00. Orders under \$1000.00, freight cost per package is \$50.00. For Southern and Western US, including Arizona, California, Colorado, Florida, Louisiana, Idaho, Montana, Nevada, NewMexico, Oregon, Texas, Utah, Washington and Wyoming, on orders less than \$1000.00 a shipping charge of \$65.00 will be applied for each package. Orders are shipped UPS (subject to change without notice). We will consolidate package quantities into boxes to minimize the number of packages needed to fill your order.

EXPEDITED SHIPMENTS Any overnight or expedited orders are subject to customer paid freight regardless of invoice total.



GREAT LAKES TILE PRODUCTS TERMS OF SALE

PREPAID FREIGHT FOR ANCILLARY PRODUCTS Due to package size differences, the following items cannot be combined with our Trims and Profiles for the Prepaid Freight criteria. These are packaged separately and are billed accordingly.

NICHES, CLEVER CORNERS, LEVELING CLIPS, WEDGES, PLIERS

Freight is FREE on these items when the following case quantities are ordered:

- Niche = 5 cases
- Clever Corners = 1 case
- Leveling Clip(s) & Wedges = 6 cases

Orders placed with less than the case quantities shown above are billed at \$30.00 per case for all states except for Southern and Western US, including Arizona, California, Colorado, Florida, Louisiana, Idaho, Montana, Nevada, New Mexico, Oregon, Texas, Utah, Washington and Wyoming which are billed at a rate of \$40.00 for each package.

For all orders shipping to Alaska and Hawaii, please call for shipping prices.

RETURNS All returns must be made within 30 days. Any return must be approved by Great Lakes prior to return, with a 25% restock charge for an account credit. All items must be in "Like New" condition, subject to our inspection. Any item purchased in "Mill Finish" is not returnable.

SHIPPING CHARGES Due to any increase in shipping costs beyond our control, prices are subject to change without notice.

SEASONAL/PEAK SHIPPING Historical events has created a need for freight carriers to impose "Peak" charges over and above that of standard shipping charges. As these charges get imposed, they will be passed along as "Peak Shipping Charge." Peak shipping is typically between October 1 - January 31.

Highlighted prices indicate shipping cost increases.

All catalog pricing becomes effective August 1, 2022 and is subject to change with a 30-day notice.



**341 South Street
Rochester, MI 48307**



**orders@gltileproducts.com
info@gltileproducts.com**



248.656.8100

23
YEARS

OF SUPERIOR PRODUCTS

Check out our online catalog at:

www.GLTileProducts.com



ONE MONROE
GREAT LAKES PRODUCTS

